



MA02 Super SkyBox Product Specifications

SKU: MA02, MA02-WBNA V1.1 - 5.6.26

Telemetry and control logic execution for BACnet/Modbus communications building equipment

- Super SkyBox provides a gateway for Modbus and BACnet building equipment to the cloud, providing a bridge to the SkyCentrics DREAM™ platform or third-party platforms via MQTT. *Common applications include: Central system heat pumps, HVAC, boilers, chillers, fans, valves, and more.*
- MA02 Super SkyBox provides remote access to previously-siloed building equipment, providing the capacity to monitor and control equipment directly or via BMS/BAS
- Provides automated BACnet point discovery for ease of sending points to cloud

Communication Pathway

- Standard communication via ethernet (RJ45) port to local network
- Optionally equipped with a CAT-4 cellular communications modem for direct cellular access: Ideal for rapid installation and field deployment

Certifications:

FCC Certified

- Complies with Part 15 of FCC Rules (RF devices)

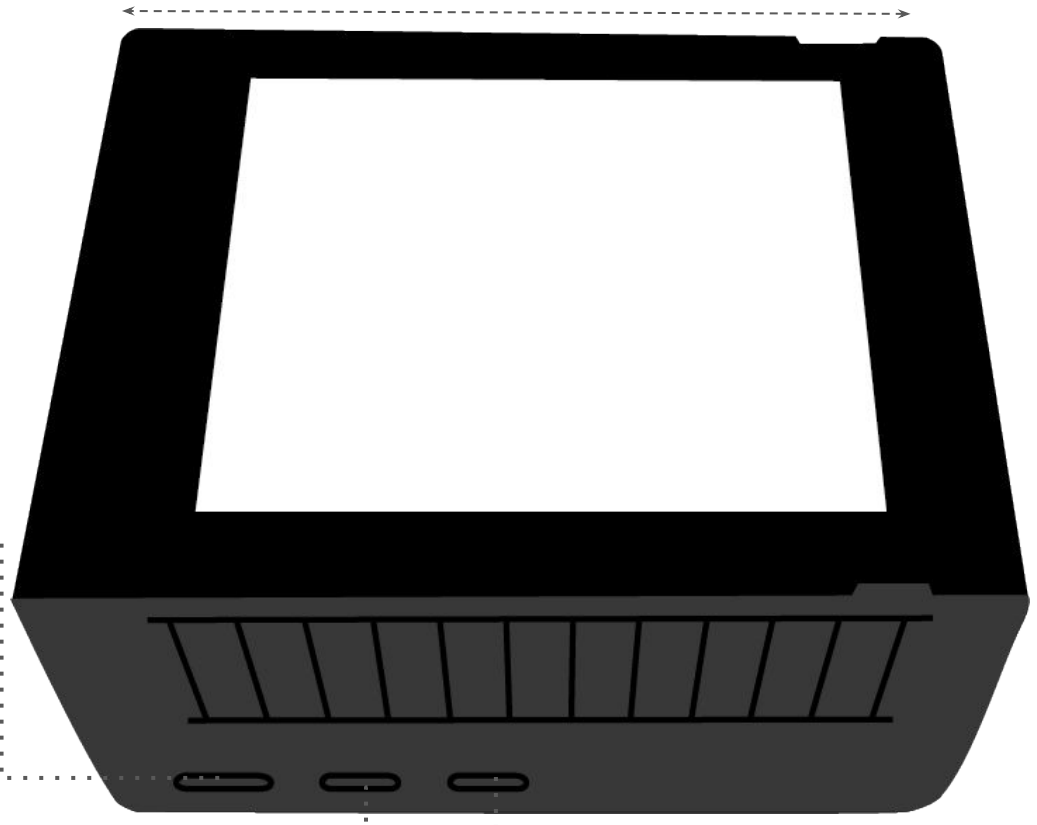
UL Certified

- Energy Management Equipment, E534126

Security:

- TLS/SSL device to cloud
- VPN from cellular carrier to cloud

3.54" (90mm)



USB-C (power)

2x Micro-USB

RJ-45 Ethernet

2x USB-A 2.0

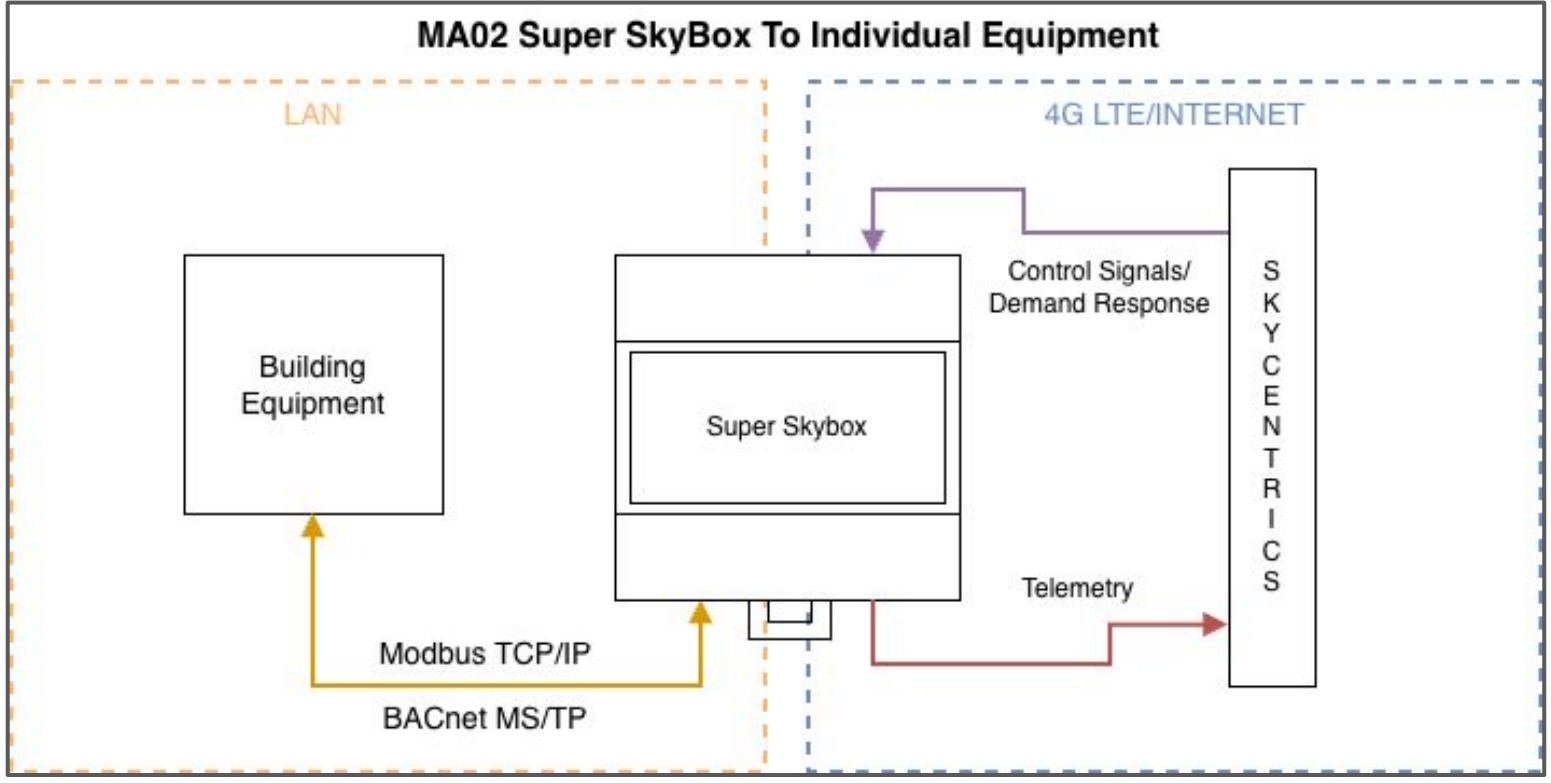
2x USB-A 3.0

2.44" (62mm)

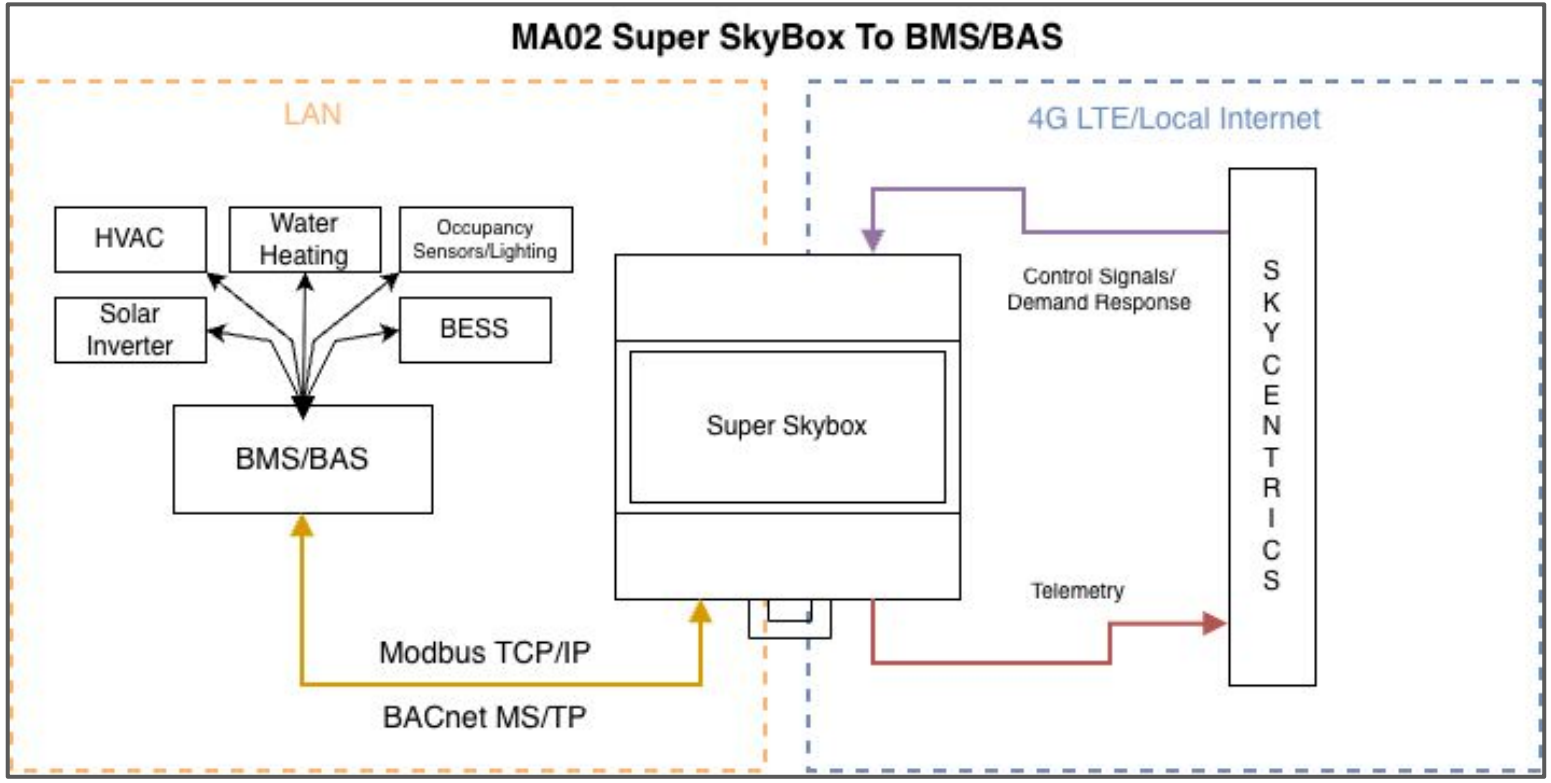


2.79" (71mm)

MA02 Super SkyBox To Individual Equipment



MA02 Super SkyBox To BMS/BAS



Technical Specifications:	
Processor	2.4GHz quad-core 64-bit Arm Cortex-A76 CPU
Memory	8 GB RAM
Operating Temperature	0°C to +70°C
Electrical Ratings	
Input Voltage	4.75-5.25V
Power Input	5V/5A DC power via USB-C
I/O	2x Micro-USB 2x USB-A 2.0 2x USB-A 3.0 RJ-45 Ethernet

Accessory 1: Cellular Communications

Category	Specification
SKU Availability:	MA04-WBNA
Primary Connectivity	4G LTE Cat-4
Band	LTE-FDD: B1/B2/B3/B4/B5/B7/B8/B12/B13/B18/B19/B20/B25/B26/B28/B66 LTE-TDD: B34/B38 /B39/B40/B41
Target Region	North America (U.S., Canada, Mexico)
Data Transport Model	JSON-based message exchange between host MCU and cloud
Baudrate	300bps ~ 4Mbps (default: 115200bps)
Security	Integrated secure provisioning and encrypted data transport

Accessory 2: Modbus RTU adapter

Category	Specification
Product Type	Serial server, Modbus gateway, MQTT gateway
Basic Function	Bi-directional transparent data transmission between RS485 and Ethernet
Power Supply	9-24VDC screw-down terminal
Communication	Ethernet Network port to RS485
Communication Method	TCP/IP direct communication, VCOM
Operating Mode	TCP Server, TCP Client (coexisting with TCP server), UDP, UDP multicast
Operating Temperature	-40°C - 85°C
Dimensions	87 x 36 x 59 mm